

# Candle *keepsake frame block*

A paper foundation-pieced fabric quilt block by Carol Doak that's perfect for use with *Carol Doak's Keepsake Frame Cards*. This design can also be made with art or scrapbooking papers.



**CAROL DOAK'S**  
**Keepsake**  
**Frame**  
**Cards**

DISPLAY AND GIFT  
YOUR ART IN STYLE

**4 PREMIUM blank**  
**5" x 7" cards**  
**and envelopes**

**C&T PUBLISHING**

**Carol Doak's Keepsake Frame Cards**  
\$9.95, #20146, 6.875" x 5", 4 cards and envelopes  
ISBN 978-1-60705-275-3, UPC 734817-201465

## BLOCK CONSTRUCTION

*NOTE: For detailed paper foundation-piecing instructions, consult books by Carol Doak or the DVD, Carol Doak Teaches You to Paper Piece—available from C&T Publishing.*

1. Make a copy of the block foundation.\*
2. Cut the following pieces, and label them with the location number(s).

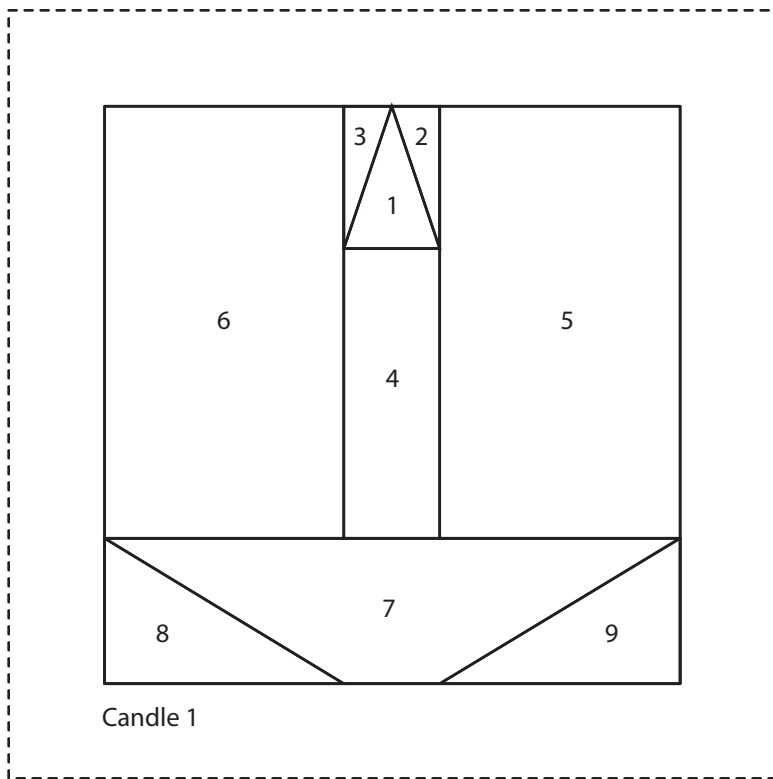
Fabric	Number to cut	Size to cut	Location number
White	2	2" x 3"	5, 6
	2	1½" x 3"	8, 9
	2	1" x 1¾"	2, 3
Yellow	1	1½" x 1½"	1
Blue	1	1¼" x 2¼"	4
Black	1	1½" x 4"	7

3. Foundation paper piece the block. (There will be overlap all around).
4. Trim the completed block, leaving a ½" margin outside the finished block on all sides. Do not remove the foundation paper.

\* Carol Doak's Foundation Paper (available from C&T Publishing) is suggested.



Finished block



Candle 1

Block foundation (reversed for piecing fabric) • Finished size: 3" x 3"

## \* CARD ASSEMBLY

- These cards can be oriented either vertically or horizontally.
- Center your block in the 3" x 3" opening.  
*HINT: For correct orientation, position the block and view it from the front before adhering it.*
- To adhere the block edges to the card, remove the paper from the 2 adhesive strips. Add extra adhesive tabs as needed. Fold the inside flap over the back of the block, and press on it firmly to seal.
- For an extra special touch, embellish your card by stitching on the paper with decorative thread—either by hand or by machine.

Surround yourself  
with art



- Showcase your creative work—vertically or horizontally—inside a debossed 3" square window
- Beautifully textured, handmade paper is bright white, archival, and extra heavy weight \*
- Perfect for framing and personalizing all your favorite miniature works of art!

Quilt blocks   Photos   Drawings

Paintings   Fiber art   Collage